

IMG-L_{6mm}

Inset Medium Intensity Light

COMPLIANCE WITH STANDARDS

ICAO : ANNEX 14 PARA 5.3.19/20

IEC : 61827

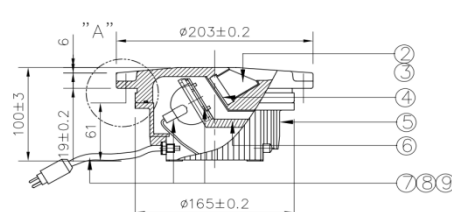
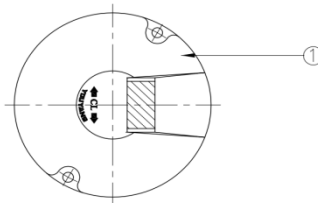
FAA : AC150/5345-46,L-852 S

KS : KSW 5011(KOREAN STANDARD)

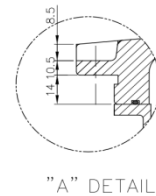
1. SPECIFICATION

- INPUT POWER : 2.8~6.6A
- POWER CONSUMPTION : 9VA
- LIFE TIME OF LIGHT : 50,000hrs
- PROTECTION CLASS : IP68
- Protrusion Height : 6mm
- MINIMUM AVERAGE INTENSITY : 200cd
- CHROMATICITY : RED

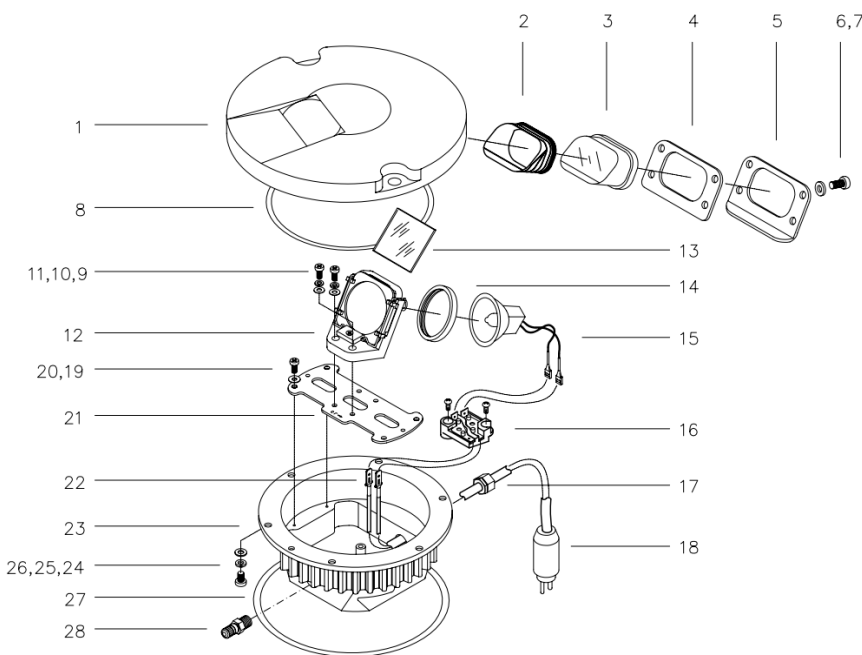
2. EXTERIOR FIGURE



NO.	PART OF NAME	STANDARD(MATERIAL)	Q'TY	DWG NAME
1	Upper cover	Aluminum 6061 (ø203x46)	1	C02-G-3010
2	Prism	Heat resistant glass (55x40x22.5x3)	1	F03-A-3130
3	Gasket	EPDM(57x34x15.5x37)	1	F06-A-3180
4	Prism stopper	Stainless steel (78x56x37)	1	C02-G-3020
5	Lower cover	Aluminum die-casting (ø164x61)	1	-
6	Lamp mounting & filter support bracket	Aluminum die-casting (52x59x9.3)	1	F04-A-3080
7	Halogen lamp	MR16(6.6A/48W)	1	F01-A-3050
8	Two pole cable with plug	FAA L-823 (600V 1.25mmSQX2C 0.5m)	1	A03-E-3020
9	Filter	Red(45x45x27)	1	F03-C-3030



3. COMPONENTS



NO.	PART OF NAME	SPECIFICATION	Q'TY	DWG NO.
1	Upper cover	Aluminum 6061 (ø203x46)	1	C04-A-3010
2	Gasket	EPDM(57x34x15.5x37)	1	F06-A-3180
3	Prism	Heat resistant glass (55x40x22.5x3)	1	F03-A-3130
4	Gasket	Silicon(78x45x27)	1	F06-A-3190
5	Prism stopper	Stainless steel (78x56x37)	1	C04-A-3020
6	Bolt	Stainless steel(M6X16)	4	-
7	Spring washer	Stainless steel(ø6)	4	-
8	"O" ring	NBR(ø139.4xø3.1)	1	-
9	Bolt	Stainless steel(M4X16)	2	-
10	Spring washer	Stainless steel(ø4)	2	-
11	Plate washer	Stainless steel(ø4)	2	-
12	Lamp mounting & filter support bracket	Aluminum Die-casting (52x59x9.3)	1	F04-A-3080
13	Filter	Red(45x45x27)	1	F03-C-3030
14	MR16 Gasket	52x59x9.3	1	F06-A-3200
15	Halogen lamp	MR16, 6.6A/48W	1	F01-A-3050
16	Terminal block assembly	P.P.S(43x35x15)	1	F01-C-3020
17	Cable grand	Brass	1	F05-B-3024
18	Two pole cable with plug	FAA L-823 (600V 1.25mmSQX2C 0.5m)	1	A03-E-3020
19	Bolt	Stainless steel(M4X10)	4	-
20	Spring washer	Stainless steel(ø4)	4	-
21	Lamp bracket	Stainless steel (21x124x55)	1	C04-A-3030
22	Terminal	46-2(+)	2	-
23	Lower cover	Aluminum die-casting (ø164x61)	1	F05-B-3091
24	Bolt	Stainless steel(M5X12)	6	-
25	Plate washer	Stainless steel(ø5)	6	-
26	Spring washer	Stainless steel(M5X12)	6	-
27	O-RING(NBR)	G145(ø144.4xø3.1)	1	-
28	Air check vapive	PT 1/8"	1	F05-B-3023