

IHE-L

Inset High Intensity Light

COMPLIANCE WITH STANDARDS

ICAO : ANNEX 14 PARA 5.3.4/10/11

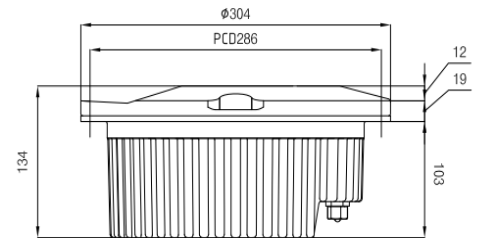
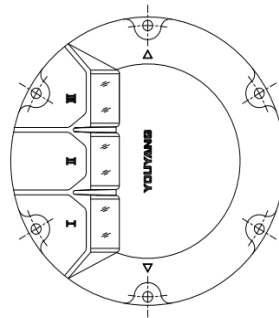
IEC : 61827

KS : KSW 5031(KOREAN STANDARD)

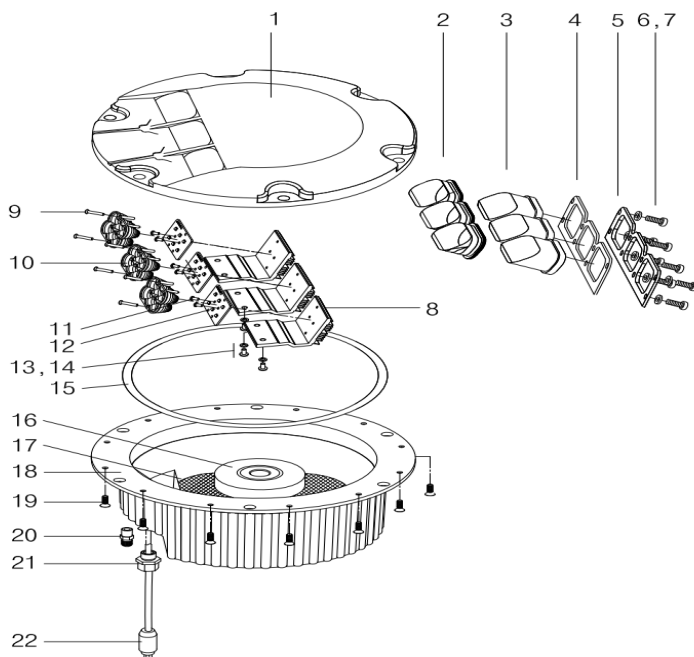
1. SPECIFICATION

- INPUT POWER : 2.8~6.6A
- LIFE TIME OF LIGHT : 50,000hrs
- PROTECTION CLASS : IP68
- PROTRUSION HEIGHT : 12mm
- MINIMUM AVERAGE INTENSITY : 5,000cd~20,000cd
- CHROMATICITY : WHITE

2. EXTERIOR FIGURE



3. COMPONENTS



- | | |
|----|------------------|
| 1 | Upper cover |
| 2 | Packing |
| 3 | Prism |
| 4 | Packing |
| 5 | Prism stopper |
| 6 | Spring washer |
| 7 | Bolt |
| 8 | Lamp Stoppar |
| 9 | Bolt |
| 10 | Reflector |
| 11 | Bolt |
| 12 | LED module |
| 13 | Spring washer |
| 14 | Bolt |
| 15 | "O" ring |
| 16 | Control assembly |
| 17 | molding |
| 18 | Lower cover |
| 19 | Bolt |
| 20 | Check velve |
| 21 | Cable gland |
| 22 | 2 Pole plug |